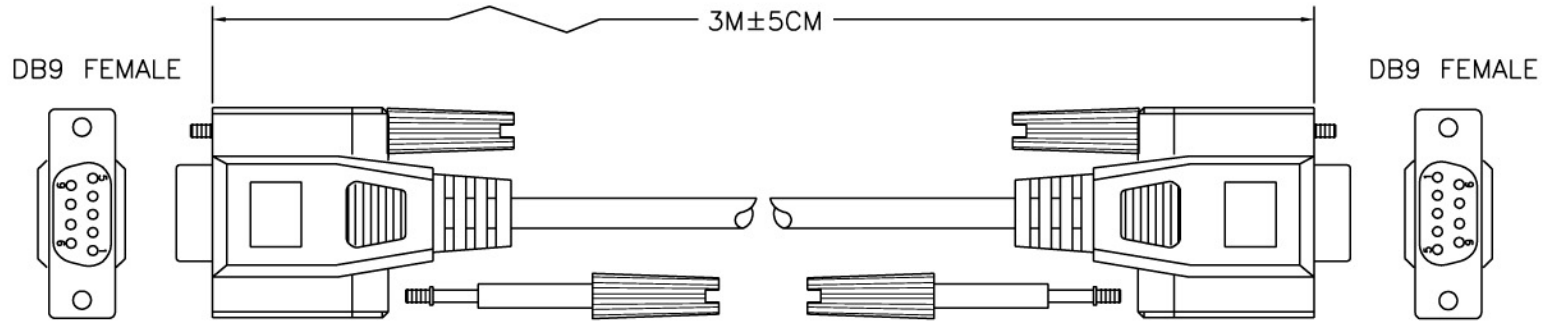


A B C D E F

DATE BY	REVISION
S.M./7.16	△



MAT'L:
 1.CABLE:#28 9C+1+AL/MY(BEIGE PVC JACKET) O.D:5.0MM
 2.BOTH CONNECTORS WITH NORMAL TYPE
 3.THUMBSCREW:#4-40UNC TYPE
 4.OUTTER MOLDED WITH BEIGE PVC
 NOTE:
 1.TOTAL LENGTH:3M±5CM
 2.COLOR:BEIGE
 3.MOLDED TYPE

CONFIGURATION:
 DB9F DB9F

1	1
2	2
3	3
4	4
5	5
6	6
7	7
8	8
9	9
SHIELD	SHIELD

△*MODIFY:DELETE NOTE.4. S.M./85.7.16
 *BUYER NO.:(AK182-3) & (AK182 3M) S.M./85.7.16

DATE	2 APR,1996	PARTS NO	CC006M1-02	TITLE: DB9 FEMALE-DB9 FEMALE (MD TYPE)	DRAWN	L.P. 4/2	CHECK	APPRO
UNIT	MM	DRAWN NO	006M1-02		ASSMANN ELECTRONICS.INC			
SCALE		BUYER NO	002					